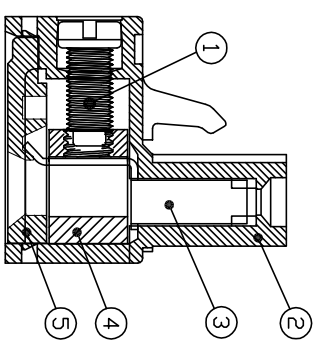
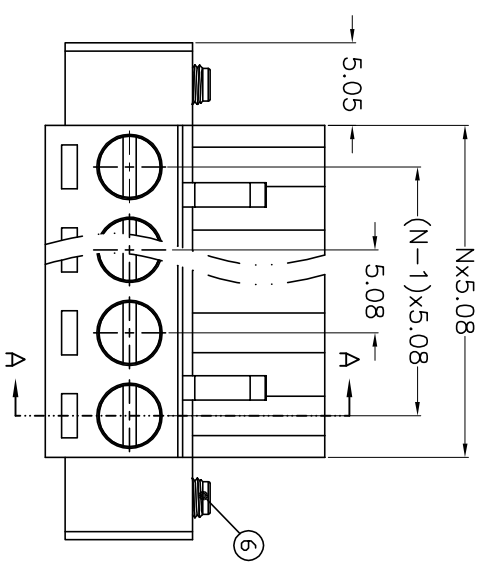
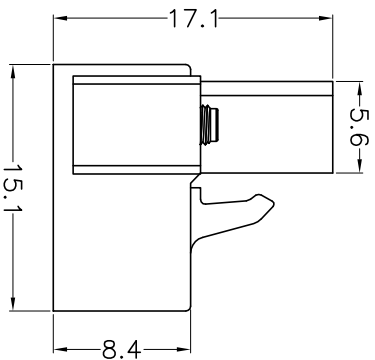
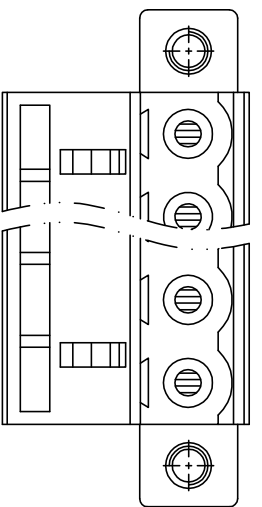
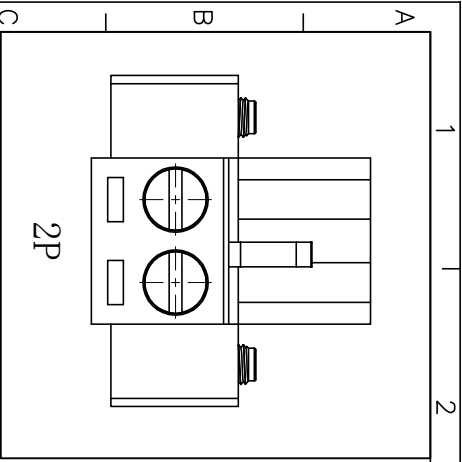
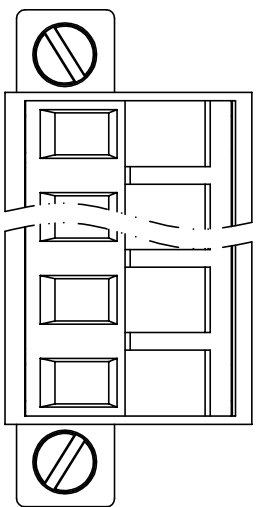


REV.	DESCRIPTION	DATE	DRAFTER	APPROVER
V1.0	DWG.REL	2024.9.22	ZHANG	JIN



SECTION A-A



- Material
 - ①Screw : M3.0 steel, Zinc plated, *- slot type
 - ②Housing : PA66, UL94V-0
 - ③Contact : Copper alloy, 7μm plated
 - ④Clamp : Copper alloy, Ni plated
 - ⑤Cover : PA66, UL94V-0
 - ⑥Screw : M2.5 steel, Zinc plated, *- slot type

- Electrical

UL	IEC
Rated voltage : 300V	320V
Rated current : 15A	20A
Contact resistance : 20mΩ(Max)	
Insulation resistance: 500MΩ/DC500V	
Withstanding Voltage : AC2000V/1min	
Wire range: 28-12AWG 2.5mm ²	

- Mechanical
 - Operating temperature: -40°C to +105°C
 - Soldering temperature: 250°C ±5/5sec
 - Torque: 0.5N.m (4.43lb.in)
 - Strip length: 7mm

• Conform to REACH and RoHS

HOW TO ORDER
 KF2EDGM-X-5.08-XXP-1 X-XXXXX

MODEL Pitch:mm Color: Customer Request

No. of poles: 2~24p 1:Single Pitch 2:Double Pitch

Color: G:Green R:Red
 K:Black W:White
 O:Orange B:Blue
 GR:Grey

Pitch range	Nominal dimension range	PROJECTION
>0	>0	0.1/10
~6	~30	∠
~10	~60	∠
~24	~100	∠
±0.15	±0.30	±2°
	±0.30	
	±0.50	
	±0.70	
	±1.00	
	±1.30	

DRAWING TYPE	CUSTOMER DRAWING	TITLE
SCALE	1:1 SHEET 1 OF 1	KF2EDGM-X-5.08-XXP-1X
DRAWING NO.	W10000592	SHEET SIZE A4
		SERIES KF2EDGM-X

DF 慈溪市凯峰电子有限公司
 CIXI KAIFENG ELECTRONICS CO.,LTD