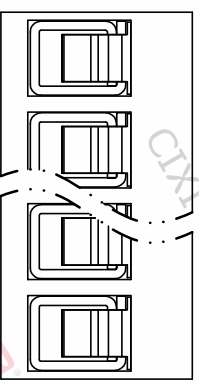
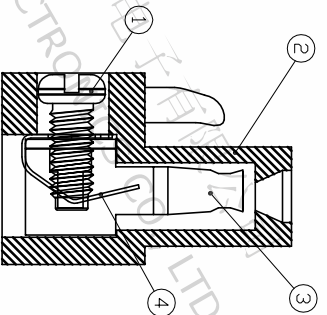
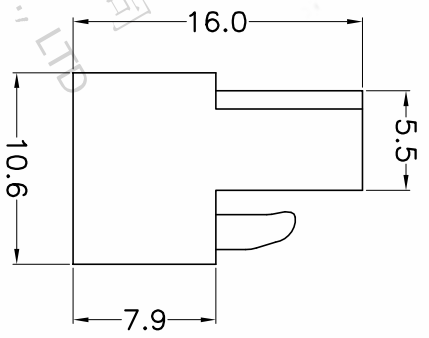
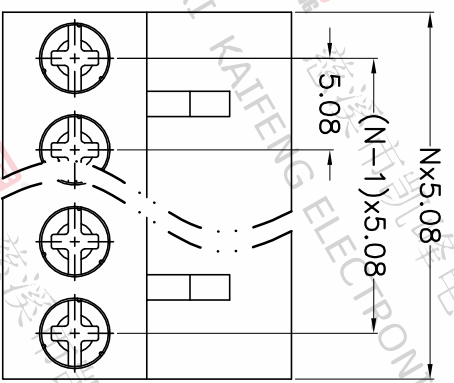
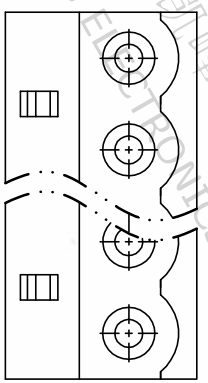


REV.	DESCRIPTION	DATE	DRAFTER	APPROVER
A1	DWG.REL	2020/5/18	ZHANG	JIN



- Material
 ⓅScrews : M2.5 steel, Zinc plated,
 -/+ slot type
 ⓅHousing : PA66, UL94V-0
 ⓅContact : Copper alloy,Tin plated
 ⓅReed : Copper alloy,Ni plated
 or stainless steel

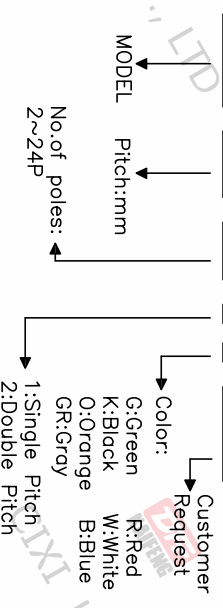
- Electrical
 Rated voltage : 300V
 Rated current : 10A
 Contact resistance : 20mΩ(Max)
 Insulation resistance: 500MΩ/DC500V
 Withstanding Voltage : AC2000V/1min
 Wire range: 24-12AWG 2.5mm²

- Mechanical
 Operating temperature: -40℃~+105℃
 Soldering temperature:250℃±5/5sec
 Torque: 0.4N.m (3.54Lb.in)
 Strip length: 7-8mm

• RoHS compliance

HOW TO ORDER

HT508-5.08-XXP-1 X-XXXXX



Pitch range	Nominal dimension range	PROJECTION	UNIT
>0	>0	0.1/10	mm
~6	>30		
~10	~60		
~24	~100		
±0.15	±0.30		
±0.20	±0.50		
±0.30	±0.70		
±1.00	±1.30		
±2*			

DRAWING TYPE	CUSTOMER DRAWING
SCALE	1:1
SHEET	1 OF 1
DRAWING NO.	W10000042

PROJECTION	TITLE
UNIT	HT508-5.08-XXP-1X
SHEET SIZE	A4
SERIES	HT508

DFE 慈溪市凯峰电子有限公司
 CIXI KAIFENG ELECTRONICS CO.,LTD

