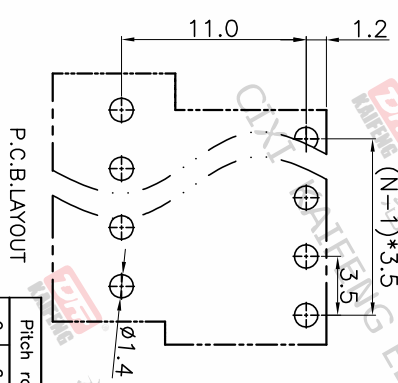
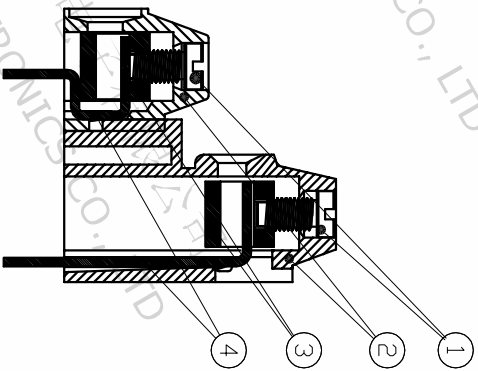
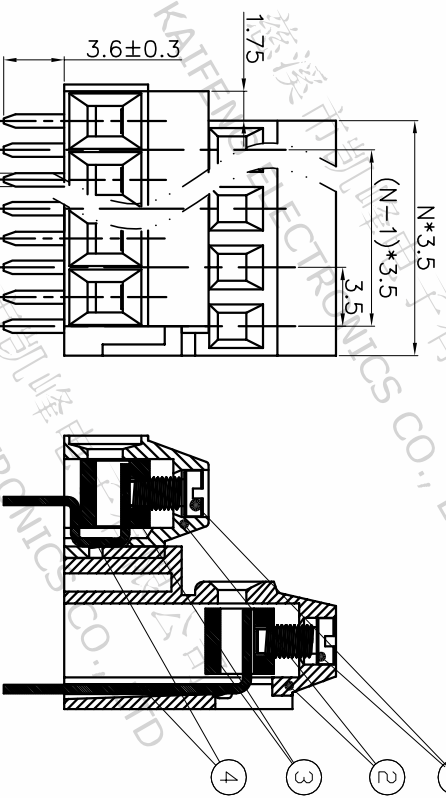
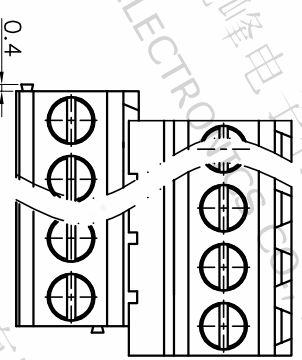


REV.	DESCRIPTION	DATE	DRAFTER	APPROVER
A1	DWG.REL	2020.05.19	DENG	JIN



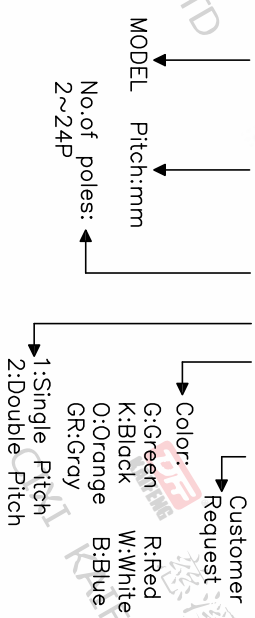
- Material  
 @Screws : M2.0 steel, Zinc plated,  
 @Housing : PA66, UL94V-0  
 @Clamp : Copper alloy, Ni plated  
 @Pin header : Copper alloy, Tin plated

- Electrical  
 UL IEC  
 Rated voltage : 150V 130V  
 Rated current : 10A 10A  
 Contact Resistance: 20mΩ  
 Insulation resistance: 500MΩ/DC500V  
 Withstanding Voltage : AC1500V/1min  
 Wire range: 24-16AWG 1.5mm<sup>2</sup>

- Mechanical  
 Operating temperature: -40°C ~ +105°C  
 Soldering temperature: 250°C ±5 / 5sec  
 Torque: 0.2N.m (1.77Lb.in)  
 Strip length: 5-6mm

• RoHS compliance

HOW TO ORDER  
 KF124DGB-3.5-2\*XXP-1 X-XXXXX



Pitch range	Nominal dimension range	PROJECTION
>30	>60	0.1/10
~6	~24	0.1/10
~10	~30	0.1/10
~24	~60	0.1/10
~30	~100	0.1/10
~60	~150	0.1/10
~100	>150	0.1/10
±0.15	±0.30	±2

DRAWING TYPE	CUSTOMER DRAWING	SHEET SIZE	TITLE
SCALE	1:1	A4	KF124DGB-3.5-2*XXP-1X
DRAWING NO.	W15000432		

**DFE**  
 慈溪市凯峰电子有限公司  
 CIXI KAIFENG ELECTRONICS CO.,LTD