

REV.	DESCRIPTION	DATE	DRAFTER	APPROVER
A1	DWG.REL	2020.05.16	DENG	JIN

- Material
 - ⊙Screws : M2.5 steel, Zinc plated,
 - /+ slot type
 - ⊙Housing : PA66, UL94V-0
 - ⊙Reed : Copper alloy, Ni plated or stainless steel
 - ⊙Pin header : Copper alloy, Tin plated

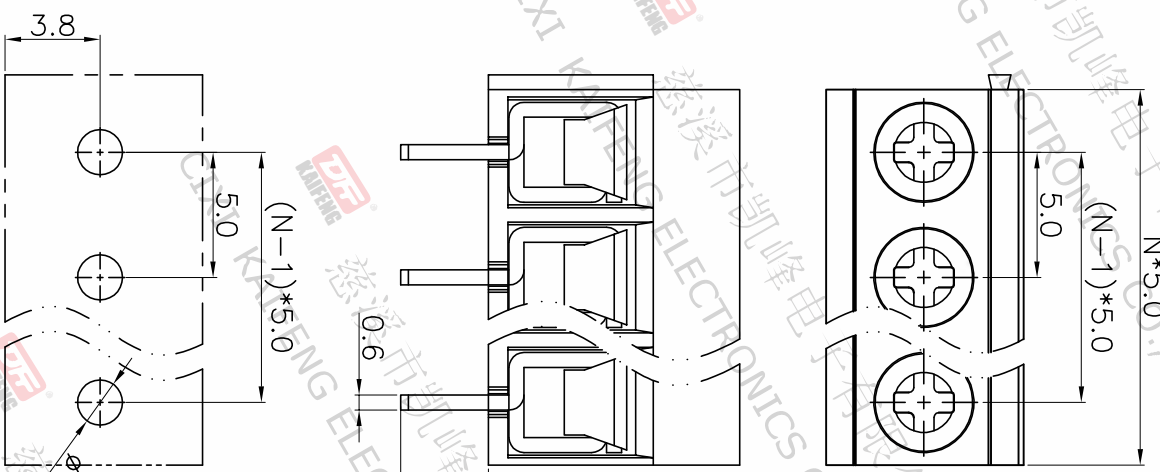
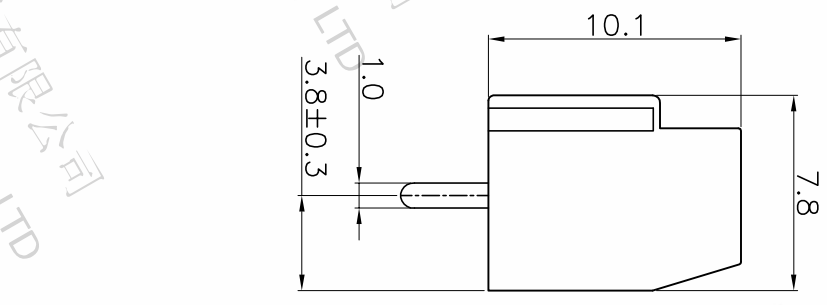
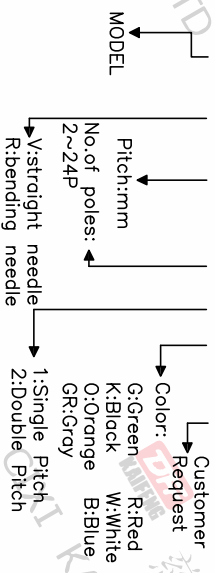
- Electrical
 - UL IEC
 - Rated voltage : 300V 250V
 - Rated current : 10A 18A
 - Contact resistance : 20mΩ(Max)
 - Insulation resistance: 500MΩ/DC500V
 - Withstanding Voltage : AC2000V/1min
 - Wire range: 20-14AWG 2.5mm²

- Mechanical
 - Operating temperature: -40℃~+105℃
 - Soldering temperature: 250℃±5/5sec
 - Torque: 0.4N.m (3.54Lb.in)
 - Strip length: 6-7mm

• RoHS compliance

HOW TO ORDER

KF126 Y -5.0-XXP-1 X-XXXX



P.C.B.LAYOUT

Pitch range	Nominal dimension range	0.1/10
>0	>30	0.1/10
~6	~60	0.1/10
~10	~100	0.1/10
~24	~150	0.1/10
±0.15	±0.30	±2°
±0.20	±0.30	±2°
±0.30	±0.50	±2°
±0.70	±1.00	±2°
±1.30	±1.30	±2°

PROJECTION	UNIT	TITLE
mm	mm	KF126V-5.0-XXP-1X
SHEET SIZE	A4	SERIES KF126

DF 慈溪市凯峰电子有限公司
CIXI KAIFENG ELECTRONICS CO.,LTD

