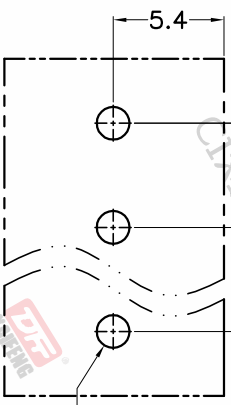
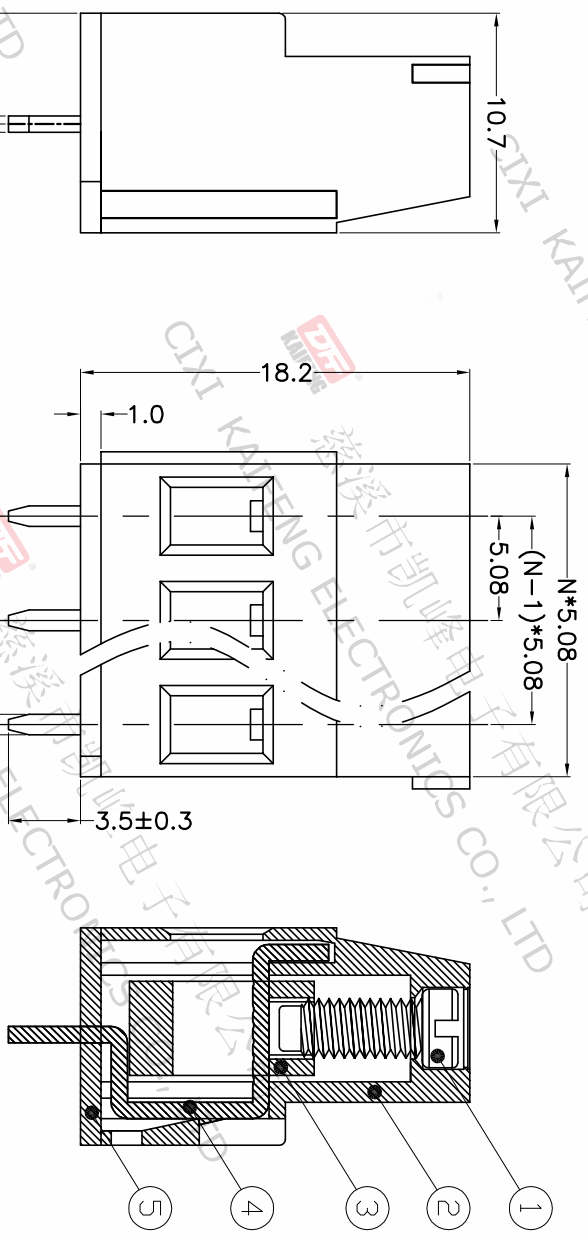
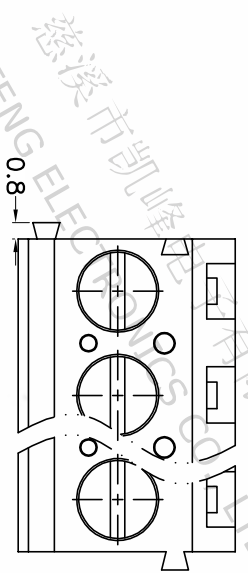


REV.	DESCRIPTION	DATE	DRAFTER	APPROVER
A1	DWG.REL	2020.05.22	DENG	JIN



P.C.B.LAYOUT

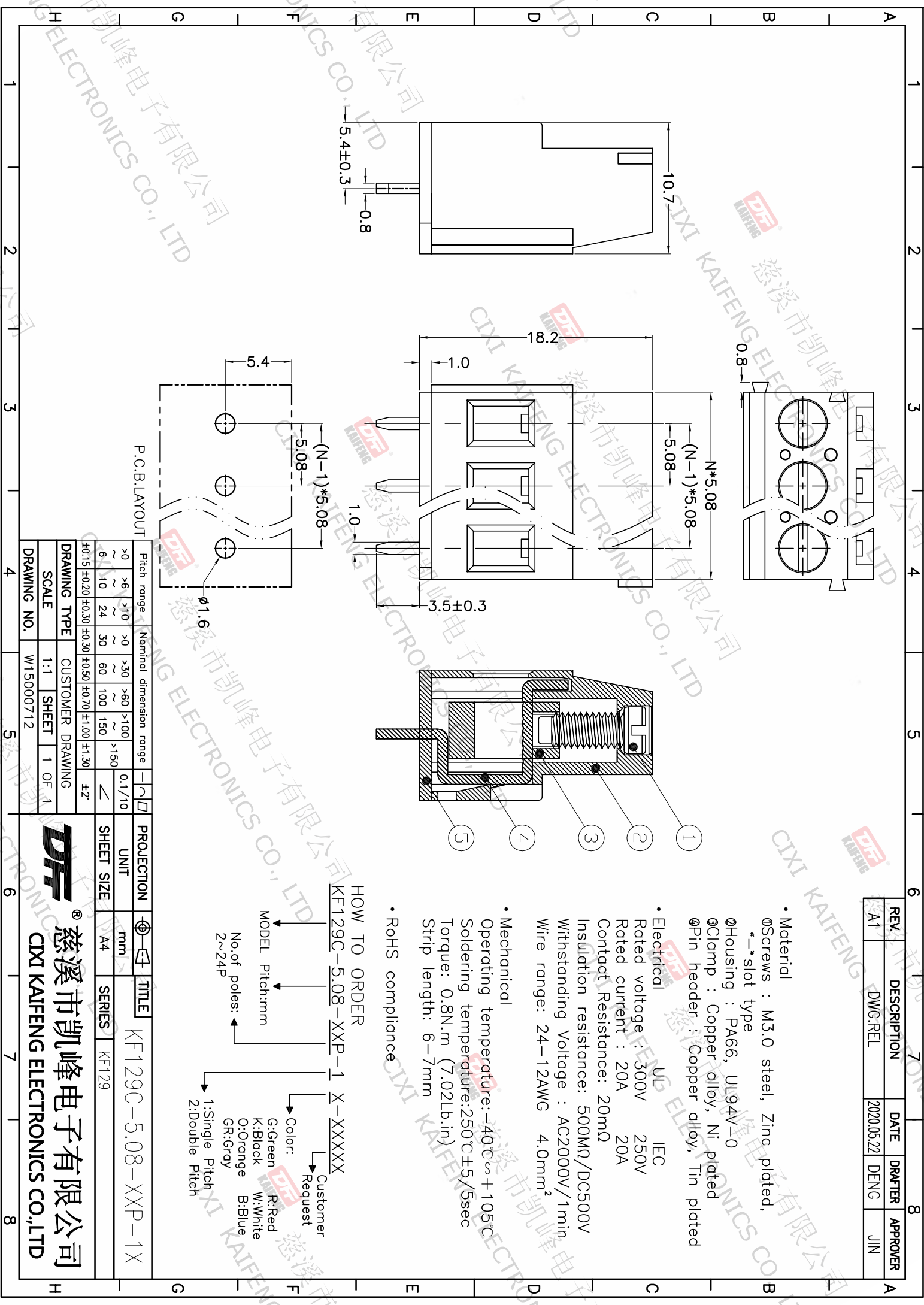
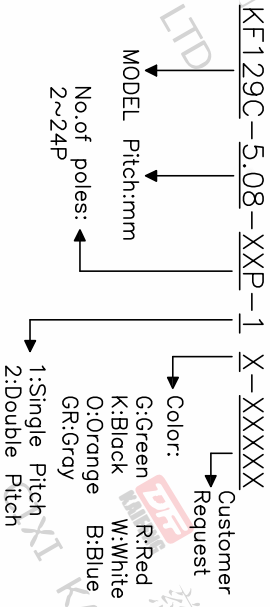
Pitch range	Nominal dimension range	0.1/10	±2°
>0	>0	0.1/10	±2°
~6	>10	0.1/10	±2°
~10	~24	0.1/10	±2°
~24	~30	0.1/10	±2°
~30	~60	0.1/10	±2°
~60	~100	0.1/10	±2°
~100	~150	0.1/10	±2°
~150	~1.30	0.1/10	±2°

DRAWING TYPE	CUSTOMER DRAWING
SCALE	1:1
SHEET	1 OF 1
DRAWING NO.	W15000712

PROJECTION	UNIT	TITLE
1st Angle	mm	KF129C-5.08-XXP-1X
SHEET SIZE	A4	SERIES KF129

- Material
 ○Screws : M3.0 steel, Zinc plated,
 "—" slot type
 ○Housing : PA66, UL94V-0
 ○Clamp : Copper alloy, Ni plated
 ○Pin header : Copper alloy, Tin plated
- Electrical
 UL IEC
 Rated voltage : 300V 250V
 Rated current : 20A 20A
 Contact Resistance: 20mΩ
 Insulation resistance: 500MΩ/DC500V
 Withstanding Voltage : AC2000V/1min
 Wire range: 24-12AWG 4.0mm²
- Mechanical
 Operating temperature: -40°C ~ +105°C
 Soldering temperature: 250°C±5/5sec
 Torque: 0.8N.m (7.02lbf.in)
 Strip length: 6-7mm
- RoHS compliance

HOW TO ORDER



DFE
 慈溪市凯峰电子有限公司
 CIXI KAIFENG ELECTRONICS CO.,LTD