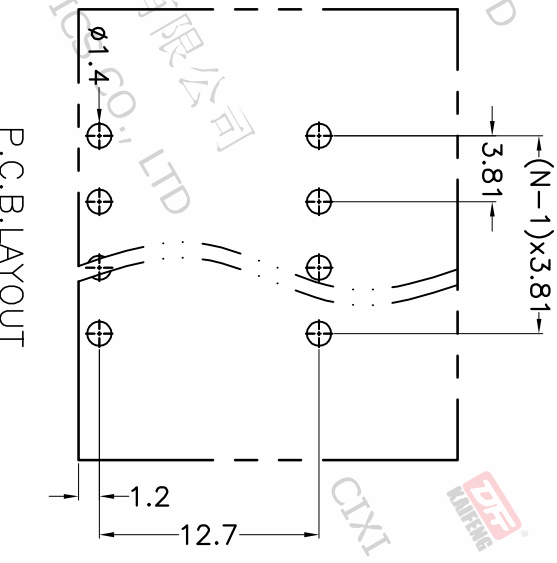
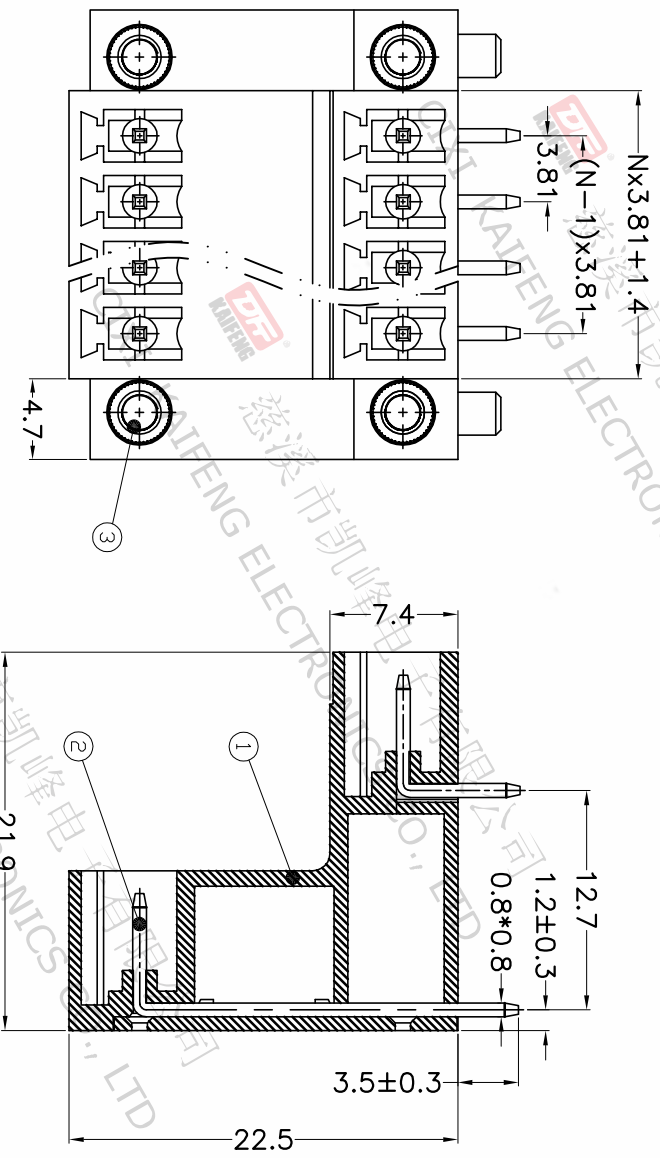
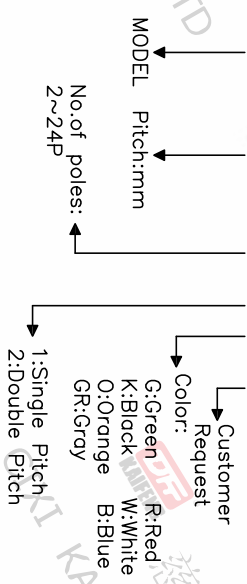


REV.	DESCRIPTION	DATE	DRAFTER	APPROVER
A1	DWG.REL	2020.6.02	ZHANG	JIN



- Material
 ØHousing : PA66, UL94V-0
 ØPin header : Copper alloy, Tin plated
 ØNut : M2.5, Copper alloy
- Electrical
 UL IEC
 Rated voltage : 300V 250V
 Rated current : 8A 7A
 Contact resistance : 20mΩ(Max)
 Insulation resistance: 500MΩ/DC500V
 Withstanding Voltage : AC1500V/1min
- Mechanical
 Operating temperature: -40°C~+105°C
 Soldering temperature:250°C±5/5sec
- RoHS compliance

HOW TO ORDER
 KF12ETRM-3.81-2*XXP-1 X-XXXXX



Pitch range	Nominal dimension range	PROJECTION
>0	>0	□
~6	~30	□
~10	~60	□
~24	~100	□
~30	~150	□
±0.15	±0.30	±2°
±0.20	±0.50	
±0.30	±0.70	
±0.50	±1.00	
±1.00	±1.30	

DF 慈溪市凯峰电子有限公司
 CIXI KAIFENG ELECTRONICS CO.,LTD

DRAWING TYPE: CUSTOMER DRAWING
 SCALE: 1:1 SHEET: 1 OF 1
 DRAWING NO.: W10001472

TITLE: KF12ETRM-3.81-2*XXP-1X
 UNIT: mm
 SHEET SIZE: A4
 SERIES: KF12ETRM