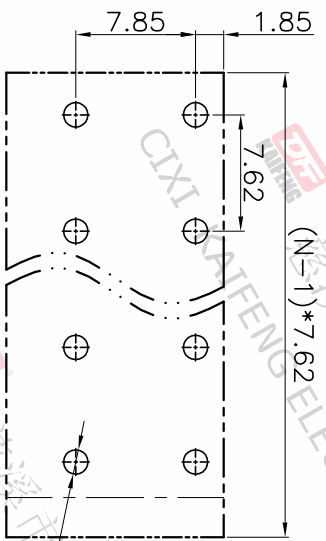
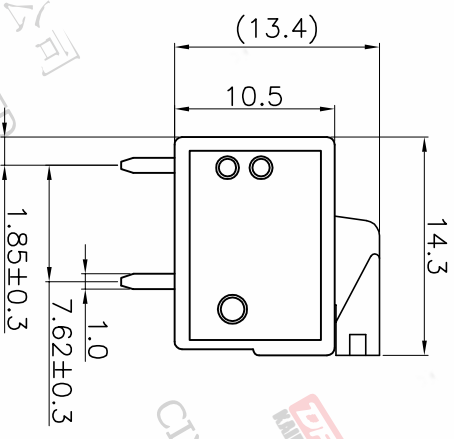
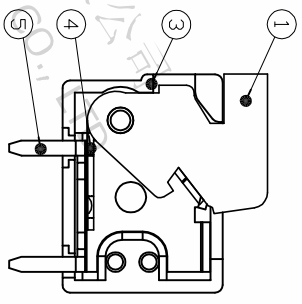
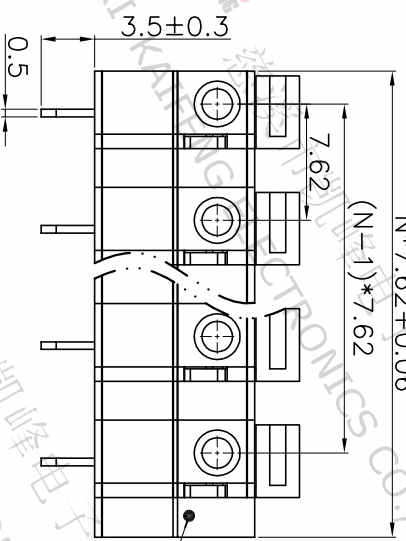
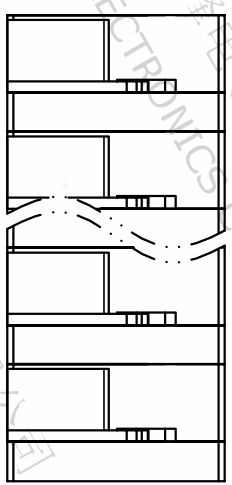


REV.	DESCRIPTION	DATE	DRAFTER	APPROVER
A1	DWG.REL	2020.05.27	DENG	JIN

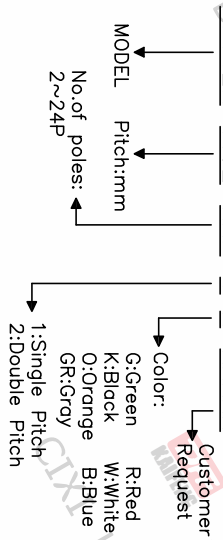


P.C.B.LAYOUT

- Material
  - ØButton : PA66, UL94V-0
  - ØCover : PA66, UL94V-0
  - ØHousing : PA66, UL94V-0
  - ØReed : Stainless steel
  - ØPin header : Copper alloy, Tin plated
- Electrical
  - UL IEC
  - Rated voltage : 300V 450V
  - Rated current : 10A 15A
  - Contact resistance : 20mΩ(Max)
  - Insulation resistance: 500MΩ/DC500V
  - Withstanding Voltage : AC2000V/1min
  - Wire range: 22-14AWG 1.5mm<sup>2</sup>
- Mechanical
  - Operating temperature: -40°C ~ +105°C
  - Soldering temperature: 250°C ±5/5sec
  - Strip length: 10mm
- RoHS compliance

HOW TO ORDER

KF142R-7.62-XXP-1 X-XXXXX



Pitch range	Nominal dimension range	PROJECTION	UNIT
>0	>30	0.1/10	mm
~6	~60		
~10	~100		
~24	~150		
±0.15	±0.30		±2°

DRAWING TYPE	CUSTOMER DRAWING
SCALE	1:1
SHEET	1 OF 1
DRAWING NO.	W11000192

TITLE	SHEET SIZE	SERIES
KF142R-7.62-XXP-1X	A4	KF142

**DF** 慈溪市凯峰电子有限公司  
CIXI KAIFENG ELECTRONICS CO.,LTD