

REV.	DESCRIPTION	DATE	DRAFTER	APPROVER
A1	DWG.REL	2020.6.02	ZHANG	JIN

- Material
 - ØScrew: M2.5 steel, Zinc plated, *-- slot type
 - ØHousing : PA66, UL94V-0
 - ØHardware 1: Steel, Zinc plated
 - ØHardware 1: Steel, Zinc plated
 - ØContact : Copper alloy, Tin plated
 - ØCover : PA66, UL94V-0

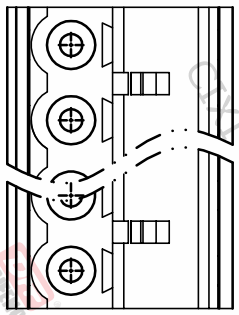
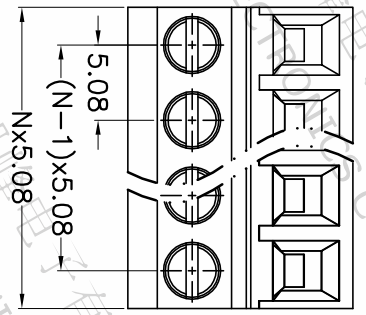
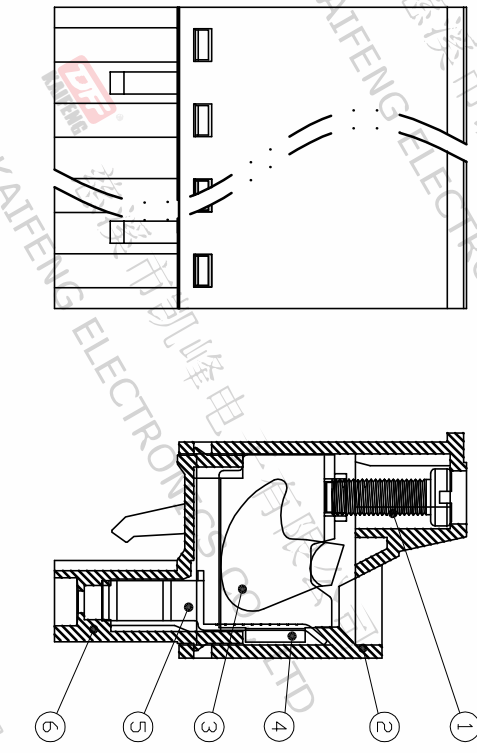
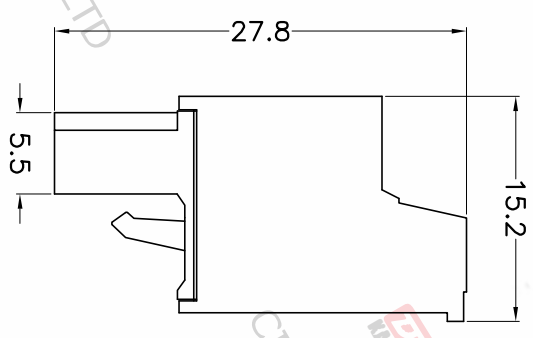
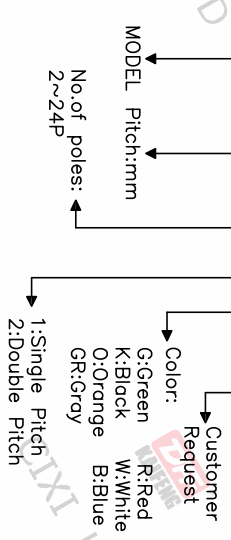
- Electrical
 - UL IEC
 - Rated voltage : 300V 320V
 - Rated current : 15A 20A
 - Contact resistance : 20mΩ(Max)
 - Insulation resistance : 500MΩ/DC500V
 - Withstanding Voltage : AC2000V/1min
 - Wire range: 28-14AWG 2.5mm²

- Mechanical
 - Operating temperature: -40°C ~ +105°C
 - Soldering temperature: 250°C ±5/5sec
 - Torque: 0.4N.m (3.54lbf.in)
 - Strip length: 7-8mm

• RoHS compliance

HOW TO ORDER

KF203-5.08-XXP-1 X-XXXXX



Pitch range	Nominal dimension range	0.1/10	±2°
>0	>6	>10	>0
~	~	~	~
6	10	24	30
±0.15	±0.20	±0.30	±0.30
			±0.50
			±0.70
			±1.00
			±1.30
			±2°

DRAWING TYPE	CUSTOMER DRAWING	DRAWING NO.	SCALE	SHEET	1 OF 1
1:1	1:1	W10001552	1:1	1	1

TITLE
KF203-5.08-XXP-1X

PROJECTION
UNIT
mm

SHEET SIZE
A4

SERIES
KF203

DF 慈溪市凯峰电子有限公司
CIXI KAIFENG ELECTRONICS CO.,LTD