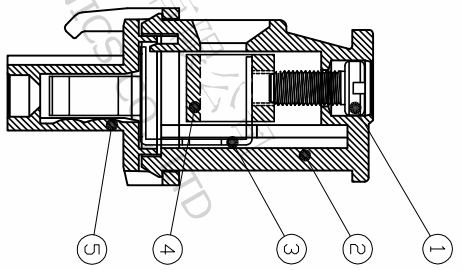
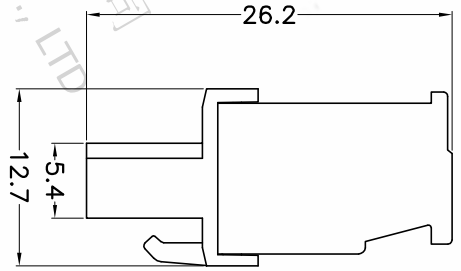
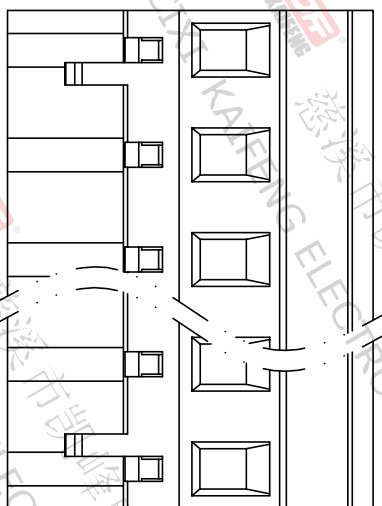
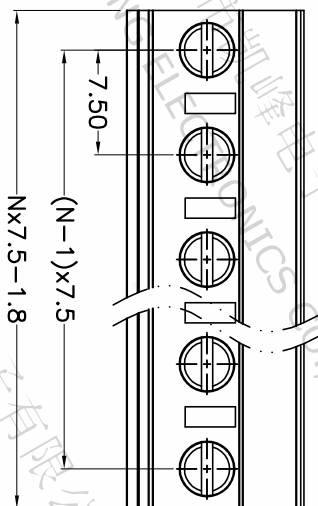


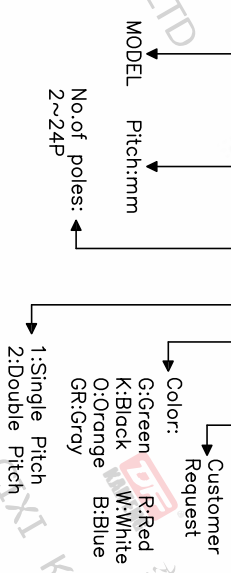
REV.	DESCRIPTION	DATE	DRAFTER	APPROVER
A1	DWG.REL	2020.5.23	ZHANG	JIN



- Material
 - ①Screw : M2.5 steel, Zinc plated, *- slot type
 - ②Housing : PA66, UL94V-0
 - ③Contact : Copper alloy, Tin plated
 - ④Clamp : Copper alloy, Ni plated
 - ⑤Cover : PA66, UL94V-0
- Electrical
 - UL IEC
 - Rated voltage : 300V 400V
 - Rated current : 15A 18A
 - Contact resistance : 20mΩ(Max)
 - Insulation resistance : 500MΩ/DC500V
 - Withstanding Voltage : AC2500V/1min
 - Wire range : 28-12AWG 2.5mm²
- Mechanical
 - Operating temperature: -40°C~+105°C
 - Soldering temperature: 250°C ±5/5sec
 - Torque: 0.4N.m (3.54Lb.in)
 - Strip length: 7-8mm
- Rohs compliance

HOW TO ORDER

KF2EDGKA-7.5-XXP-1 X-XXXXX



Pitch range	Nominal dimension range	PROJECTION
>0	>30	0.1/10
~6	~60	~
~10	~100	~
~24	~150	~
±0.15 ±0.20 ±0.30	±0.30 ±0.50 ±0.70 ±1.00 ±1.30	±2'

DRAWING TYPE	CUSTOMER DRAWING
SCALE	1:1
SHEET	1 OF 1
DRAWING NO.	W10000362

PROJECTION	TITLE
UNIT mm	KF2EDGKA-7.5-XXP-1X
SHEET SIZE A4	SERIES KF2EDGKA

DF 慈溪市凯峰电子有限公司
CIXI KAIFENG ELECTRONICS CO.,LTD