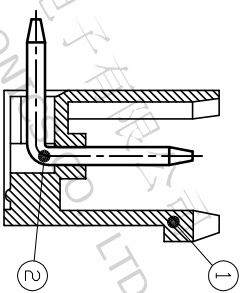
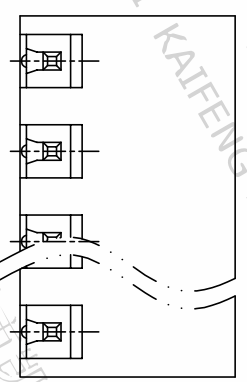
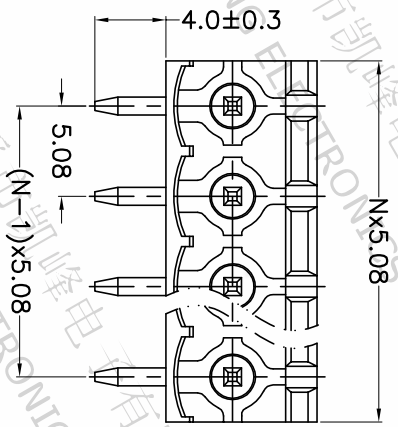
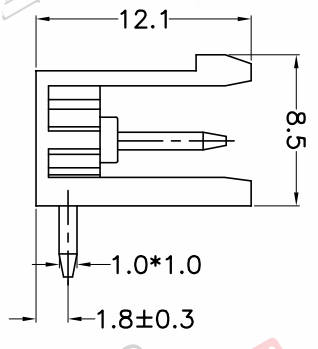
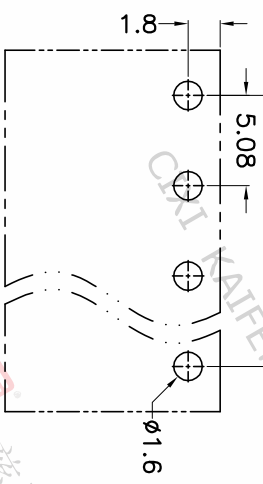


REV.	DESCRIPTION	DATE	DRAFTER	APPROVER
A1	DWG.REL	2020.6.02	ZHANG	JIN

- Material
 @Housing : PA66, UL94V-0
 @Pin header : Copper alloy, Tin plated
- Electrical
 UL IEC
 Rated voltage : 300V 320V
 Rated current : 15A 20A
 Contact resistance : 20mΩ(Max)
 Insulation resistance: 500MΩ/DC500V
 Withstanding Voltage : AC2000V/1min
- Mechanical
 Operating temperature: -40°C ~ +105°C
 Soldering temperature: 250°C ±5/5sec
- RoHS compliance



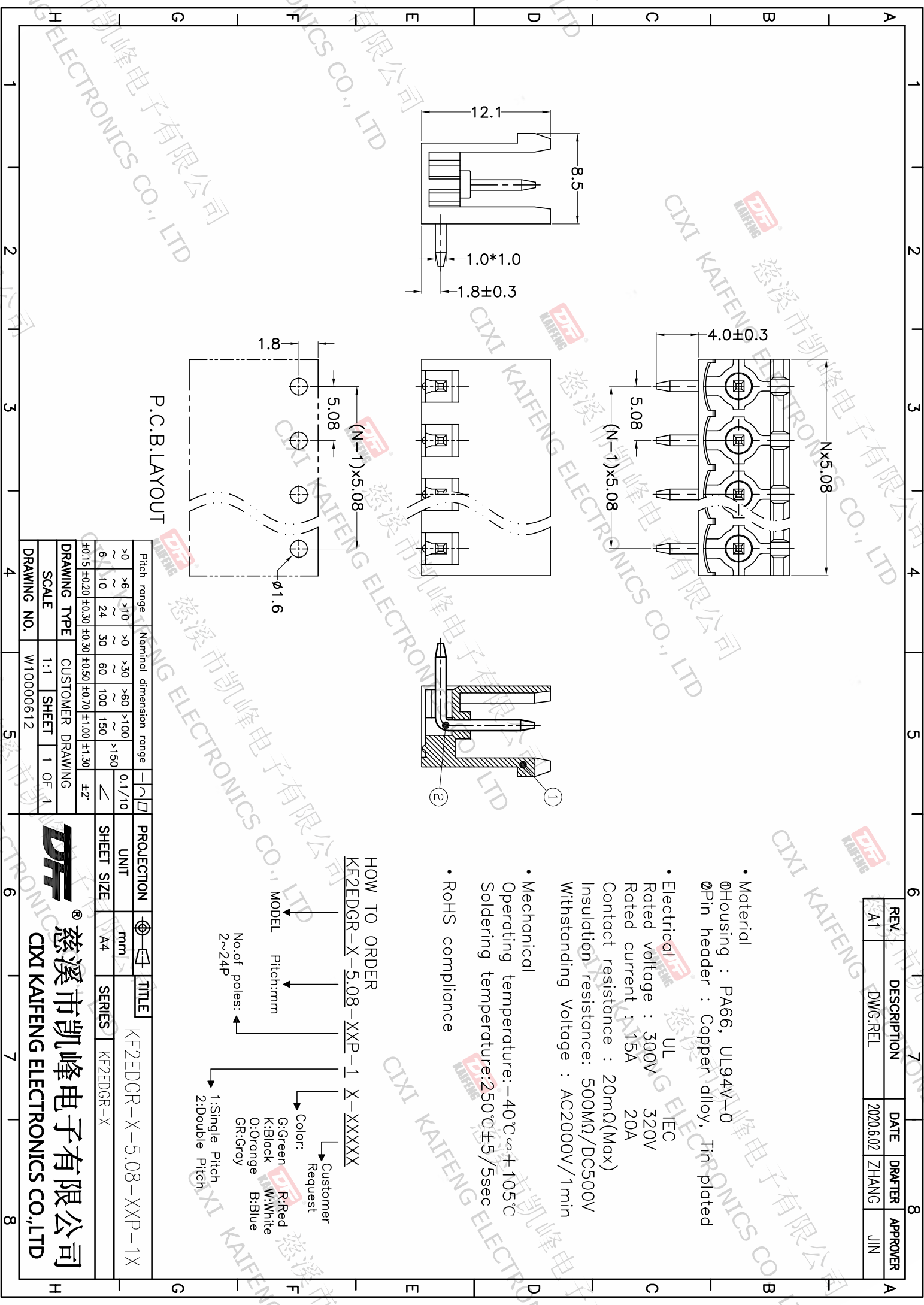
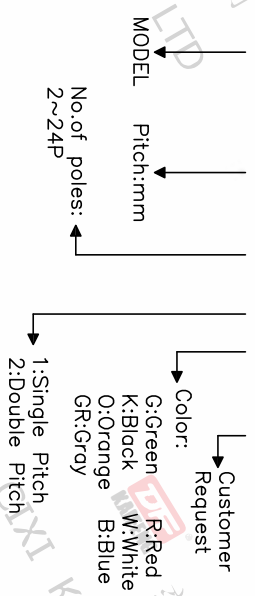
P.C.B.LAYOUT



Pitch range	Nominal dimension range	0.1/10	±2°
>0	>0	0.1/10	±2°
~6	~30	0.1/10	±2°
~10	~60	0.1/10	±2°
~24	~100	0.1/10	±2°
~30	~150	0.1/10	±2°
±0.15	±0.30	±0.30	±2°
	±0.50	±0.70	±1.00
	±1.00	±1.30	±1.30

DRAWING TYPE	CUSTOMER DRAWING	PROJECTION	UNIT	TITLE
SCALE	1:1	SHEET	1 OF 1	KF2EDGR-X-5.08-XXP-1X
DRAWING NO.	W100000612	SHEET SIZE	A4	SERIES KF2EDGR-X

HOW TO ORDER
 KF2EDGR-X-5.08-XXP-1 X-XXXXX



慈溪市凯峰电子有限公司
 CIXI KAIFENG ELECTRONICS CO., LTD

DFE
 慈溪市凯峰电子有限公司
 CIXI KAIFENG ELECTRONICS CO.,LTD