

REV.	DESCRIPTION	DATE	DRAFTER	APPROVER
A1	DWG.REL	2020.6.08	ZHANG	JIN

- Material
 - ①Screw: M3.0,Steel, Zinc plated,*- slot type
 - ②Housing : PA66, UL94V-0
 - ③Pin header : Copper alloy,Ni plated
 - ④Clamp : Copper alloy, Ni plated
 - ⑤Cover : PA66, UL94V-0

- Electrical

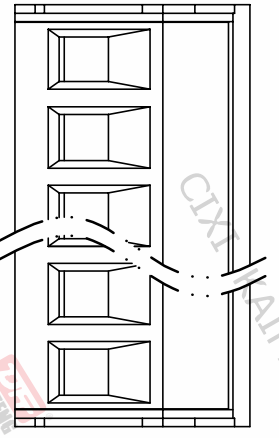
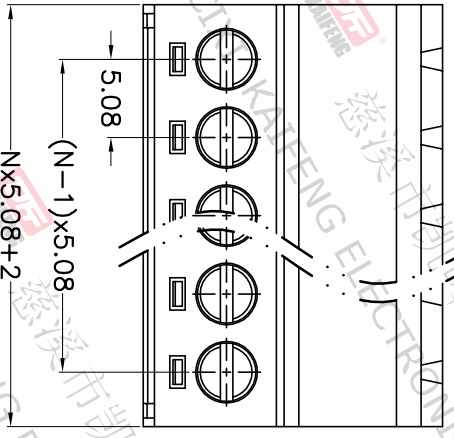
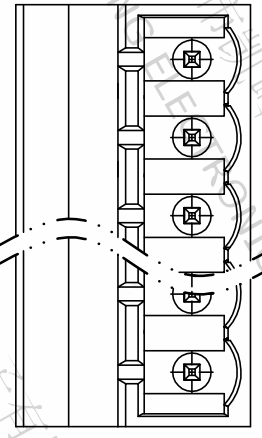
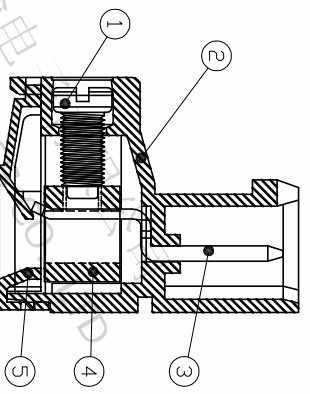
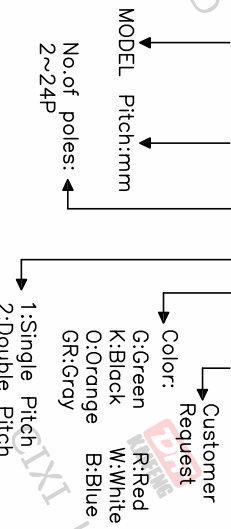
UL	IEC
Rated voltage : 300V	320V
Rated current : 15A	20A
Contact resistance : 20mΩ(Max)	
Insulation resistance: 500MΩ/DC500V	
Withstanding Voltage : AC2000V/1min	
Wire range: 24-14AWG 2.5mm ²	

- Mechanical
 - Operating temperature:-40℃~+105℃
 - Soldering temperature:250℃±5/5sec
 - Torque: 0.5N.m (4.43Lb.in)
 - Strip length: 7-8mm

• RoHS compliance

HOW TO ORDER

KF2EKR-5.08-XXP-1 X-XXXXX



Pitch range	Nominal dimension range	PROJECTION
>0	>0	0.1/10
~6	~30	mm
~10	~60	A4
~24	~100	SHEET
~30	~150	1 OF 1
~40	~200	DRAWING NO.
~50	~300	W10000942

DF 慈溪市凯峰电子有限公司
CIXI KAIFENG ELECTRONICS CO.,LTD

DF 慈溪市凯峰电子有限公司
CIXI KAIFENG ELECTRONICS CO.,LTD

MODEL Pitch:mm
No.of poles: 2~24P
Color: G:Green, K:Black, O:Orange, GR:Gray, R:Red, W:White, B:Blue
Customer Request
Pitch: 1:Single Pitch, 2:Double Pitch

PROJECTION UNIT mm
SHEET SIZE A4
SERIES KF2EKR
TITLE KF2EKR-5.08-XXP-1X

