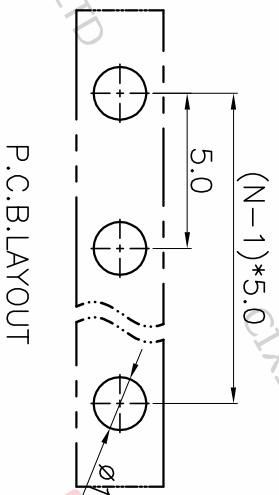
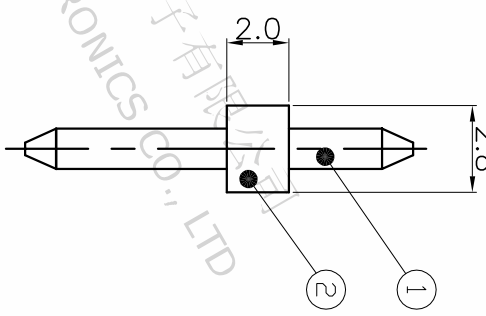
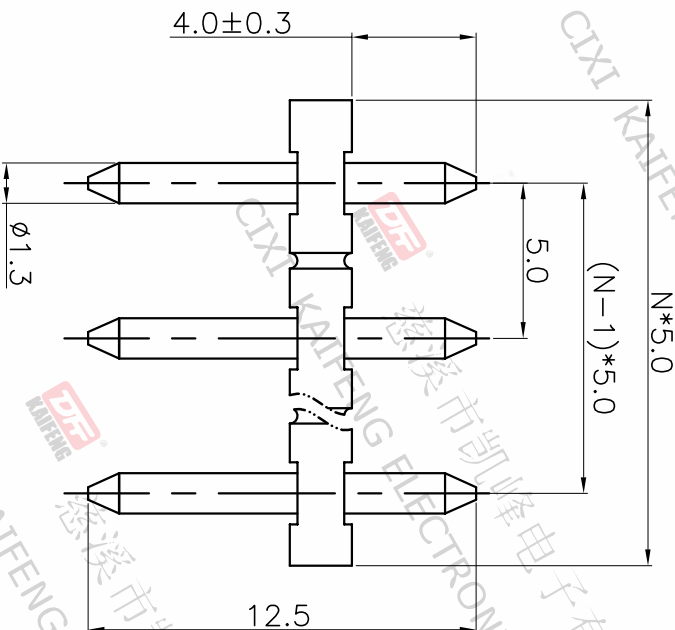
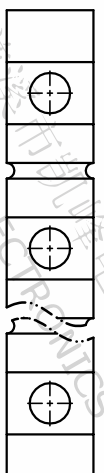


REV.	DESCRIPTION	DATE	DRAFTER	APPROVER
A1	DWG.REL	2020.05.18	DENG	JIN



P.C.B.LAYOUT

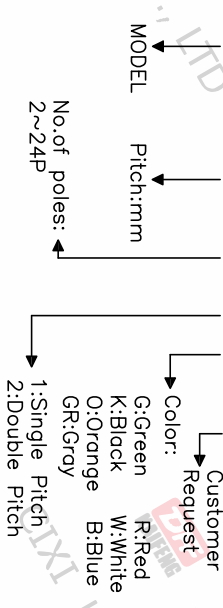
Pitch range	Nominal dimension range	PROJECTION	UNIT
>0	>0	0.1/10	mm
~6	~30		
~10	~60		
~24	~100		
~30	~150		
±0.15	±0.30		
±0.20	±0.50		
±0.30	±0.70		
±1.00	±1.30		
	±2°		

DRAWING TYPE	CUSTOMER DRAWING
SCALE	1:1
SHEET	1 OF 1
DRAWING NO.	W15000222

- Material
 @Pin header : Copper alloy, Tin plated
 @Housing : PA66, UL94V-0
- Electrical
 UL IEC
 Rated voltage : 300V 250V
 Rated current : 10A 12A
 Contact resistance : 20mΩ(Max)
 Insulation resistance: 500MΩ/DC500V
 Withstanding Voltage : AC2000V/1min
- Mechanical
 Operating temperature: -40°C ~ +105°C
 Soldering temperature: 250°C ± 5/5sec
- RoHS compliance

HOW TO ORDER

KF332N-5.0-XXP-1 X-XXXX



TITLE: KF332N-5.0-XXP-1X

PROJECTION	UNIT	SHEET SIZE	SERIES
	mm	A4	KF332N

DF 慈溪市凯峰电子有限公司
 CIXI KAIFENG ELECTRONICS CO.,LTD