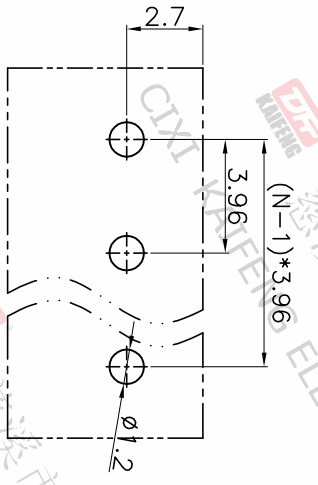
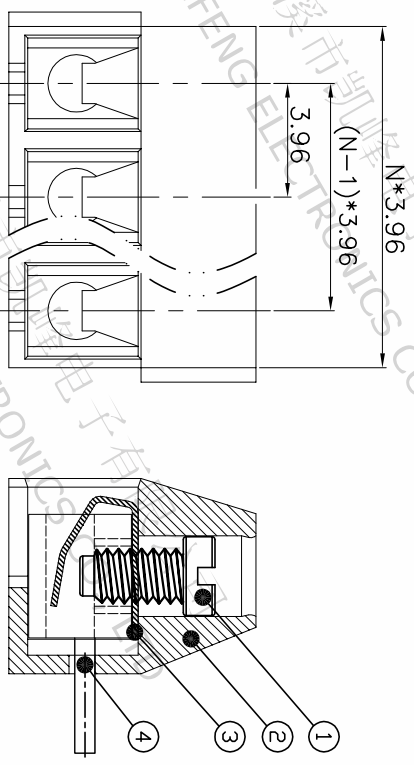
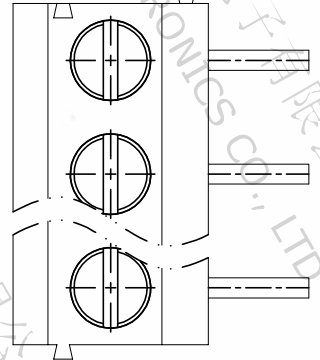


REV.	DESCRIPTION	DATE	DRAFTER	APPROVER
A1	DWG.REL	2020.05.18	DENG	JIN



- Material
 ØScrews : M2.0 steel, Zinc plated,
 "—" slot type
 ØHousing : PA66, UL94V-0
 ØReed : Copper alloy, Ni plated
 or stainless steel
 ØPin header : Copper alloy, Tin plated

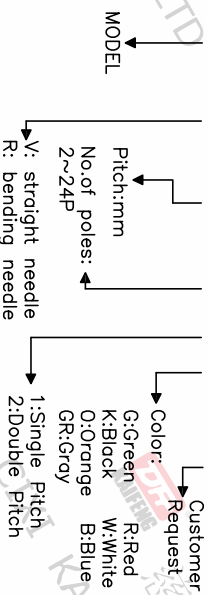
- Electrical
 UL IEC
 Rated voltage : 300V 130V
 Rated current : 7A 10A
 Contact resistance : 20mΩ(Max)
 Insulation resistance: 500MΩ/DC500V
 Withstanding Voltage : AC1250V/1min
 Wire range: 24-18AWG 1.0mm²

- Mechanical
 Operating temperature: -40°C ~ +105°C
 Soldering temperature: 250°C ±5/5sec
 Torque: 0.2N.m (1.77Lb.in)
 Strip length: 5-6mm

• RoHS compliance

HOW TO ORDER

KEF396 R -3.96-XXP-1 X-XXXXX



Pitch range	Nominal dimension range	PROJECTION	UNIT
>0	>0	□	mm
~6	>30	□	mm
~10	>60	□	mm
~24	>100	□	mm
~30	>150	□	mm
~60	>150	□	mm
~100	>150	□	mm
~150	>150	□	mm
±0.15	±0.30	□	±2°
±0.20	±0.30	□	±2°
±0.30	±0.50	□	±2°
±0.70	±1.00	□	±2°
±1.30	±1.30	□	±2°

DRAWING TYPE	CUSTOMER DRAWING
SCALE	1:1
SHEET	1 OF 1
DRAWING NO.	W15000272

PROJECTION	TITLE
UNIT	mm
SHEET SIZE	A4
SERIES	KEF396
TITLE	KEF396R-3.96-XXP-1X

DF 慈溪市凯峰电子有限公司
 CIXI KAIFENG ELECTRONICS CO.,LTD

